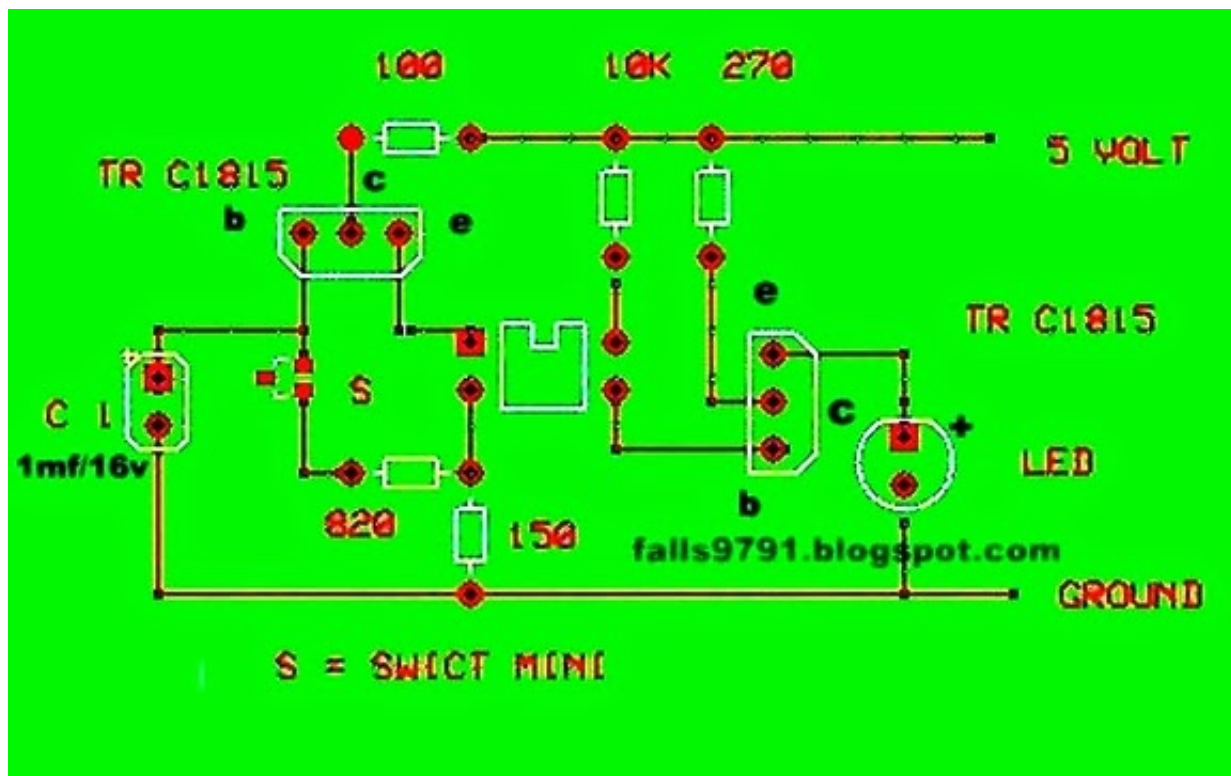


Download



[Buku Persamaan Ic Dan Transistor Testing](#)



[Buku Persamaan Ic Dan Transistor Testing](#)

Download



000 integrated circuits divided into different data sheets Ic DanThis new dvd includes additional the data bases of the tdv-disk and ddv-disk CD-ROM Further information and illustrations of vrt-dvd is available here: ECA Documentation All registered users of the software will have additional access for 1 year to the vrt (integrated circuits), tdv (transistor, FET) and ddv (diode, thyristor) online data base at System requirements: Min.. The new updated data base version 2009 contains the data of integrated circuits, transistors, diodes, FETs, thyristors, UJTs.. , operational amplifier, voltage regulator With all important details, as well as the access to the original of data sheets in pdf® format if available.

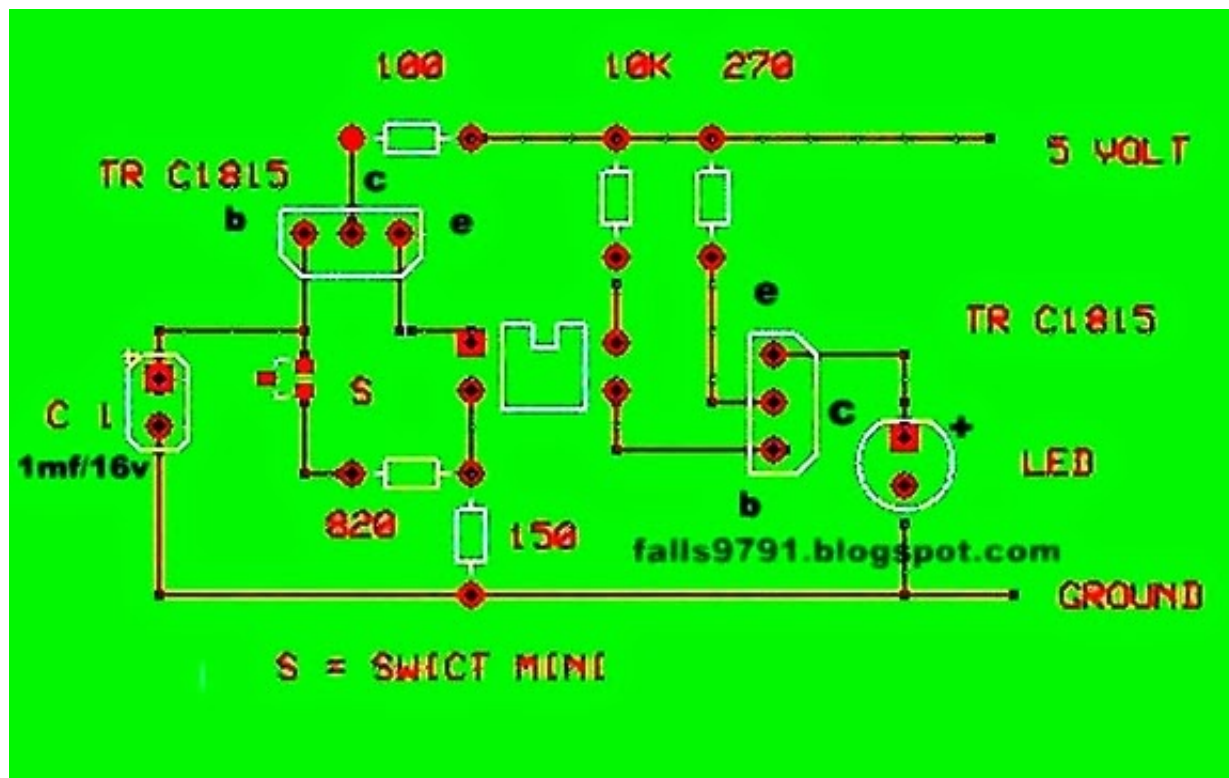
1. [buku persamaan transistor](#)
2. [buku persamaan transistor pdf](#)
3. [download buku persamaan transistor dan ic](#)

The complete data base for all kind of semiconductors on DVD-ROM with a easy to use Windows® Software.. Pentium III system, Windows 98/ME/NT/2000/XP/VISTA and a DVD drive assembly Multilingual: german, english, french, spanish, portuguese, italian, turkish.. Contents: over 90 000 diodes over 55 000 FETs over 130 000 transistors over 18 000 thyristors over 105.

buku persamaan transistor

buku persamaan transistor, buku persamaan transistor dan ic, buku persamaan transistor pdf, buku persamaan transistor download, download buku persamaan transistor dan ic, buku data persamaan transistor, download buku data persamaan transistor, buku persamaan transistor lengkap [life 09 Download Mac](#)

Beside the search and selection for type, device, manufacturer, case outline, SMD-code and text for all components, allows the data base structure a selection for parametrics with transistors, diodes, thyristors, triacs, UJTs, DIACS, tetrodes and FETs. [Download Gmail Mail For Mac](#)



[torrent](#)

[haynes pro](#)

buku persamaan transistor pdf

[Guitar Pro 6 Download Crack Ita](#)
[Jriver Media Center 22 For Mac](#)

download buku persamaan transistor dan ic

[MSI Megabook VR601 Notebook Drivers For Free Download](#)

e828bfe731 [Pitch Shifter Vst Plugin Download](#)

e828bfe731

[Vmware Download Mac Download.com](#)